

# MAKS

---

EDGE FRAMING





## **MAKS EDGE FRAMINGS**

Framing system for garden and landscaping professionals, as well as for the DIY home gardener.

Easy to install, Weather-resistant and firm in shape.

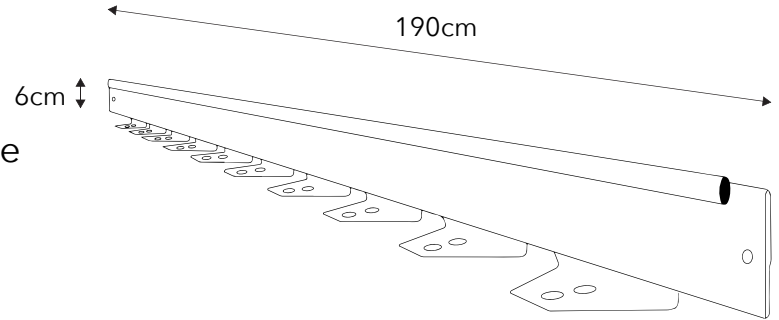
## OUR SELECTION

Our high-quality edge framings are available in Stainless steel, Galvanized & Corten steel.

TYPE	BASIC	PRO
STAINLESS	190cm x 6cm	190cm x 10cm
GALVANIZED	190cm x 6cm	190cm x 10cm
CORTEN	190cm x 6cm	190cm x 10cm

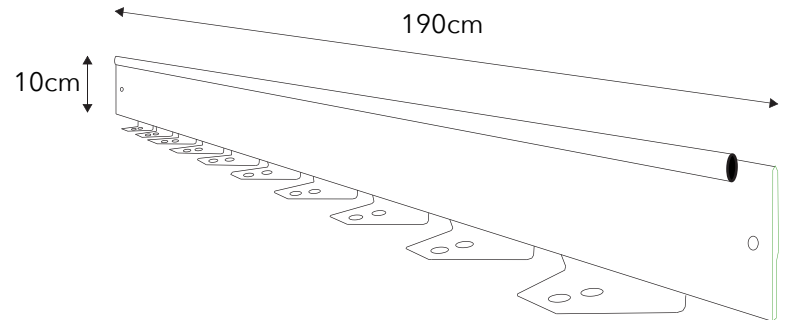
## EDGE FRAMINGS BASIC

For embedding gravel and chip paths made of e.g. natural stone and ceramics.



## EDGE FRAMINGS PRO

For the framing of concrete & pavement, as well as traffic areas.

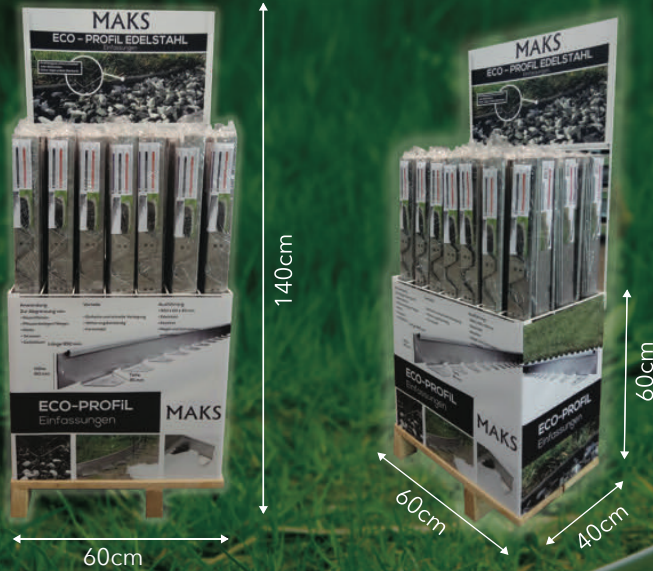




## EXCELLENT **STABILITY**

With MAK edge framing, paths and lawns are divided effortlessly and cleanly. The profiles can be shaped without breaking or kinking, also the upper edge of the mount is rounded for more safety.

**Practical:** Wide, triangular support legs ensure excellent stability and facilitate laying at the right height. The simple and fast connection system makes endless connections possible. The easy installation of this product will save you time and money.



## MAKS EDGE FRAMING BOX

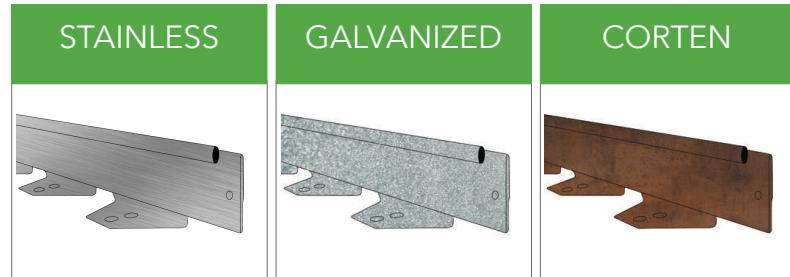
Available in Stainless steel, Galvanized & Corten steel. One pack contains 5 pcs, also 5 screws, 10 nails as well as installation instructions and EAN code.

## FORM **STABILITY**

Versatile and easy to use on almost all solid surfaces.

## FORM **FLEXIBILITY**

Due to the high flexibility of the framing, it is easy to design round garden surfaces for e.g. ornamental gardens.



MAKS **PRODUCTS** d.o.o

---

Trakace 17b  
21300 Makarska  
Croatia

CONTACT **PERSON**

Damir Babic

 [damir@maks-products.eu](mailto:damir@maks-products.eu)

 +49 151 / 5251 3481

 [www.maks-products.eu](http://www.maks-products.eu)

Your Specialist

